

## 1X2 and 2X2 MULTIMODE COUPLERS

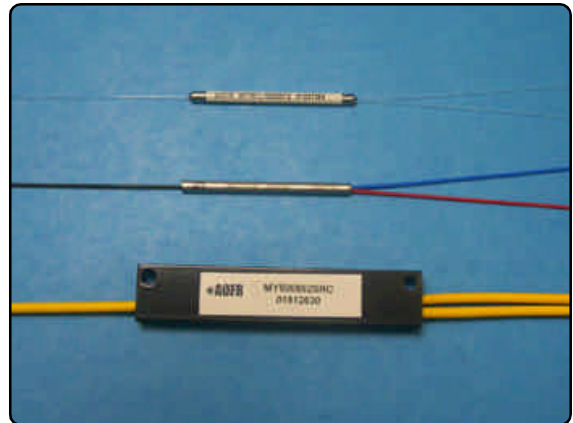
AOFR's fused biconic taper coupler technology and advanced production techniques enable consistent high-performance couplers. AOFR's multimode couplers offer superior optical performance in combining or dividing optical signals in broadband 400nm to 1600nm operations. These components are suitable for applications in LAN, test equipment, and optical systems. All AOFR couplers conform to stringent environmental and mechanical standards to give high reliability for field applications.

### FEATURES

- All fiber construction – stable environmental performance
- Broadband operation – 400 nm to 1600 nm
- Different fiber sizes – 50/125 and 62.5/125
- Designed for a variety of user applications
- A variety of packaging and pigtail options available
- Factory connectorization is available

### APPLICATIONS

- Local area networks (LAN)
- Fiber optic test equipment
- Fiber communications systems
- Fiber optic sensing



## SPECIFICATIONS

<b>Bandpass</b>	400-1600nm
<b>Maximum Insertion Loss</b>	4.0dB
<b>Return Loss/Directivity</b>	>45dB
<b>Operating temperature</b>	-40°C to 85°C
<b>Fiber Type</b>	50/125µm or 62.5/125µm

Note: Multimode couplers are measured with an equilibrium mode fill.

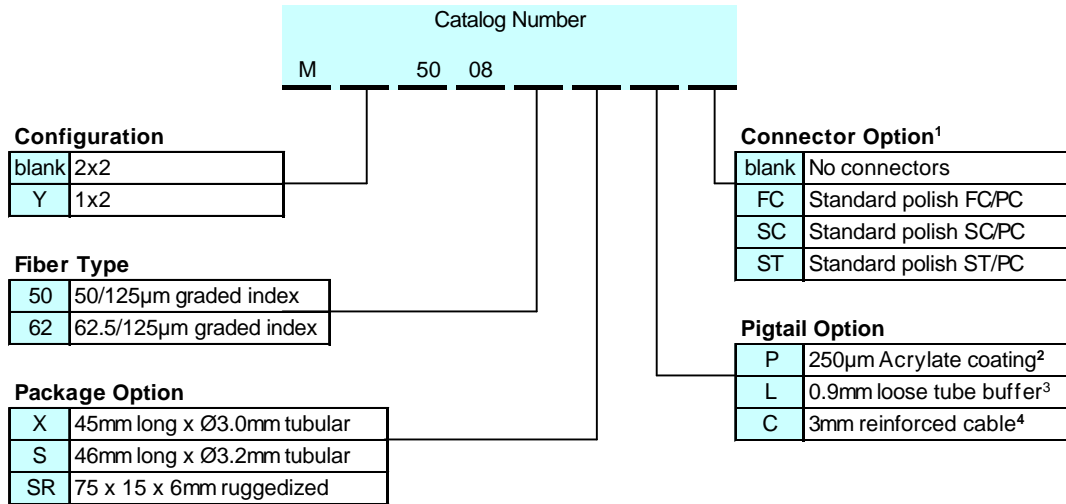
[www.AOFR.com](http://www.AOFR.com)

AOFR Pty Limited  
 2 Faulding Street  
 Symonston ACT, Australia 2609  
 PO Box 7125  
 Canberra Business Centre, ACT 2610  
 Ph: +61 (0)2 6206 2222  
 Fax: +61 (0)2 6280 6393

Sales Contacts:  
 North America - Ph: 952 443 4004, email: [dutoit@verrillon.com](mailto:dutoit@verrillon.com)  
 or Ph: 508 890 7141, Fx: 508 839 6688, email: [slyk@verrillon.com](mailto:slyk@verrillon.com)  
 Europe - Ph: +39 039 92 75 529, Fx: +39 039 92 39 390, email: [spada@verrillon.com](mailto:spada@verrillon.com)  
 Australia/New Zealand - Ph: +61 (0)3 932 83699, Fx: +61 (0)3 932 82644, email: [cliff\\_lever@covertel.com.au](mailto:cliff_lever@covertel.com.au)  
 Asia/Pacific - Ph: +61 (0)2 6206 2222, Fx: +61 (0)2 6280 6393, email: [peter.jacob@aofr.com](mailto:peter.jacob@aofr.com)

These specifications are current as of the date of publication. As we are continually improving our products, AOFR reserve the right to change any product specification without notice. At any time, please feel free to verify the specifications by contacting our headquarters, web site or our sales representatives.

## ORDERING INFORMATION



<sup>1</sup> Connectors available with loose tube buffer or cable pigtails only

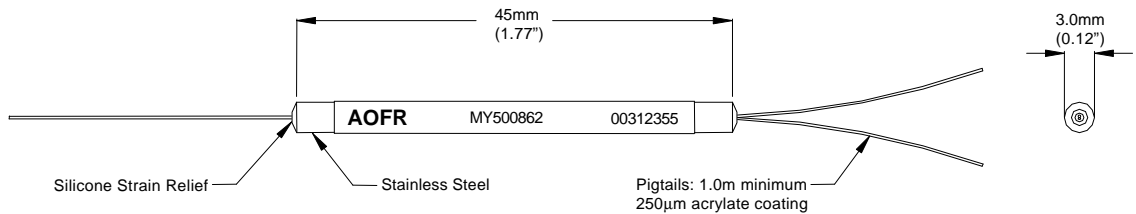
Connector return loss 45dB minimum

<sup>2</sup> Package option X only

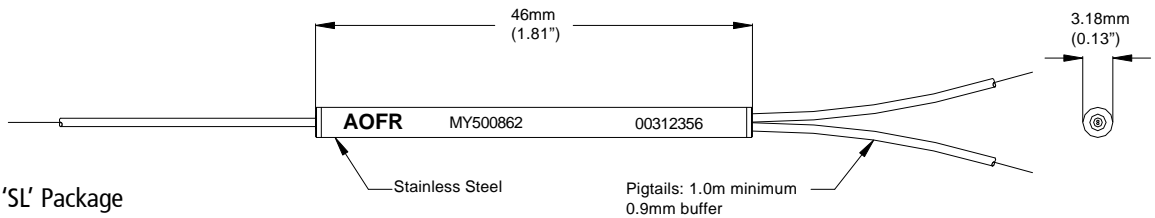
<sup>3</sup> Package option S only

<sup>4</sup> Package option SR only

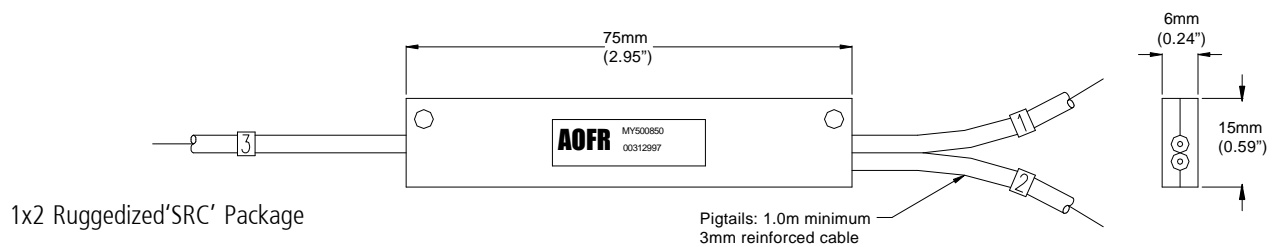
## PACKAGE OUTLINES



### Tubular 'XP' Package



### Tubular 'SL' Package



### 1x2 Ruggedized 'SRC' Package