



GLP-532/0.6~5mW

**LASER POINTER  
AT 532nm**


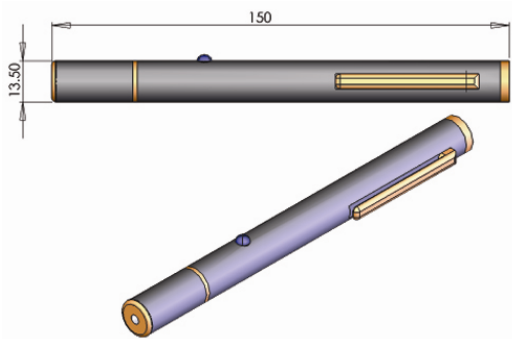

GLP-532 is noticeable and the green beam itself can be seen in mid-air in dark conditions, not just a laser beam dot. In addition, it is FDA approved.



SPECIFICATIONS

Wavelength (nm)	532±1		
Output power (mW)	0.6~1	1~3	3~5
Transverse mode	TEM <sub>00</sub>		
Operating mode	CW		
Beam divergence, full angle (mrad)	<1.5		
Beam diameter at the aperture (mm)	~1.5		
Switch	Push button		
Surface color	Black		
Power supply	2×AAA/1.5V batteries		
Operating lifetime (hours)	3000~5000		
Warranty	6 months		
Remark	LED indicator, key switch and logo engraving are on your request.		



GLP-532	Dimensions	Accessory
 <p>Φ13.5×150(L) mm<sup>3</sup>, 0.055 kg</p>		 <p>2×AAA/1.5V batteries</p>