

HALOGEN LIGHT SOURCE

PART NUMBER: TH/DR



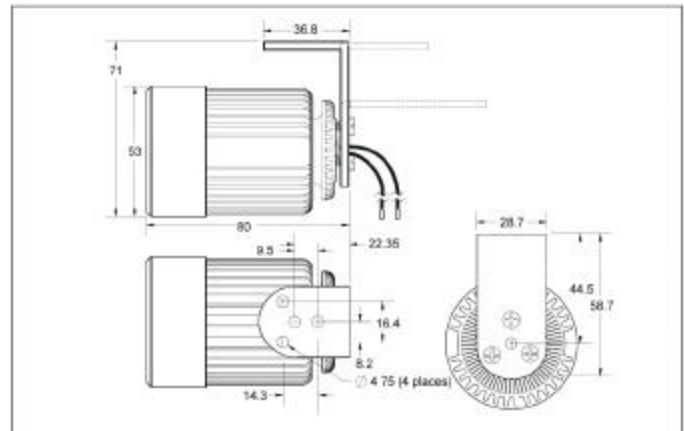
- **Rugged Aluminum Construction**
- **Multi-Position Mounting Bracket**
- **8° Adjustment capabilities**
- **Threaded Bezel For Easy Lamp Replacement**
- **Power Supply**

TH/DR is a 35 Watt Tungsten Halogen light source with a gold reflector in a cast aluminum housing. The light source produces a collimated light beam about 2" in diameter. When coupled with our focusing lens-fiber assembly, it makes a very efficient sampling system. Some of the typical samples looked at are grain, corn, flour, citrus leaf, semiconductor wafers and coatings. TH/DR Halogen Light Source can be controlled by all CDI Spectrographs via an electronic module.

Recommended Accessories:

Light Fixture _____ TH-DR-FIXT
Focusing Lens _____ SMA-LENS-F
White Reflectance Plate _____ CHD50
Fiber _____ FOC-400-SMA-3M-NIR

Ordering Information: TH/DR



All dimensions are in metric
All dimensions are approximate

Control Development, Inc. reserves the right to change specifications without notice.

Affordably Priced At \$750.00



2633 Foundation Drive, South Bend, Indiana
(574) 288-7338 Fax (574) 288-7339
E-mail: Sales@controldevelopment.com
www.controldevelopment.com

Control Development, Inc. also manufactures integrated spectroscopy systems for: UV-VIS, NIR, RAMAN and OEM customers.



NIR WITH USB



NIR



PORTABLE



RAMAN



MY INSTRUMENT



OEM