

Features

- ▶ Typical wavelength, 637nm
- ▶ Stabilized optical power 1mW
- ▶ Single supply voltage, 5V DC
- ▶ Low power consumption
- ▶ **Built-in waterproof equipment**
- ▶ **Adjustable beam according to distance**
- ▶ Attached deflection lens (-)
- ▶ Wire length : 30cm(standard) or custom
- ▶ Laser class : IIa
- ◆ **Option : Bracket & Power supply.**

* The proper beam shape appears by user's exact focusing, because of LD's characteristic.

Specification

● Optical

| | |
|---------------------|--------------|
| Optical power(mW) | 1 (Tc=25 °C) |
| LD power(mW) | 5(Max) |
| Wavelength(nm) | 637 ±8 |
| Fan angle(°) | 45 |
| Beam line width(mm) | < 0.5 |

● Electrical

| | |
|-------------------------|-----------|
| Operating voltage(DC V) | 5 ± 5% |
| Operating current(mA) | 60(Max) |
| Operating Temp.(°C) | -10 ~ +50 |
| Storage Temp.(°C) | -40 ~ +85 |

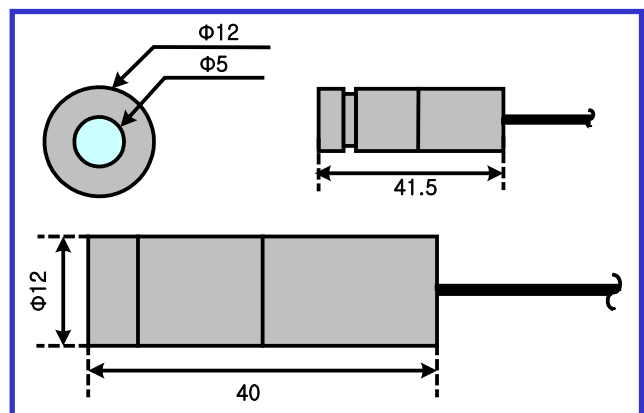
● Mechanical

| | |
|-----------------------|----------------------|
| Weight(g) | 16 ± 0.5 |
| Dimensions(mm) | 12Φ X 40 |
| Operating lifetime(h) | 30,000 ~ 50,000(@RT) |
| Housing material | Aluminum |

Description

The NDW series laser diode module combines laser diode technology, quality optics, and sophisticated electronics within a slim and light aluminum anodized housing for variety of applications. This series of modules provides cross laser beam. Applications include a measurement, positioning, lighting, alignment, guidelines, pointing, switching, leveling, and machine vision etc. Useful in a variety of medical, industrial, and scientific instrumentation, as well as general R&D work.

Drawings



* Line length by distance

| Distance (mm) | Line length (mm) |
|---------------|------------------|
| 100 | 83 |
| 300 | 249 |
| 500 | 430 |
| 1000 | 830 |

Lanics Co., Ltd.

Room #703, 7F Woolim e-Biz Center
170-5, Guro-dong, Guro-gu, Seoul, 152-050, Korea
TEL : +82-2-2108-2255 FAX : +82-2-2108-2260
E-mail : support@lanics.com
http:// www.lanics.com