

Features

- ▶ Typical wavelength, 655nm
- ▶ Stabilized optical power 1mW
- ▶ Single supply voltage, 5V DC
- ▶ Collimated laser beam
- ▶ Low power consumption
- ▶ Wire length : 30cm(standard) or custom
- ▶ Laser class : II a

Description

The RT series laser diode module combines laser diode technology, quality optics, and sophisticated electronics within a slim and light brass housing for variety of applications. This series of modules provides a elliptical laser beam in a variety of power and wavelength. Applications include a measurement, positioning, lighting, alignment, guidelines, pointing, switching, leveling, and machine vision etc. Useful in a variety of medical, industrial, and scientific instrumentation, as well as general R&D work.

Specification

Optical

Optical power(mW)	1 (Tc=25 °C)
LD power(mW)	5(Max)
Wavelength(nm)	655 ± 5
Beam Dia.(mm)	3X2
Beam Div.(mrad)	0.5
Laser class	II a

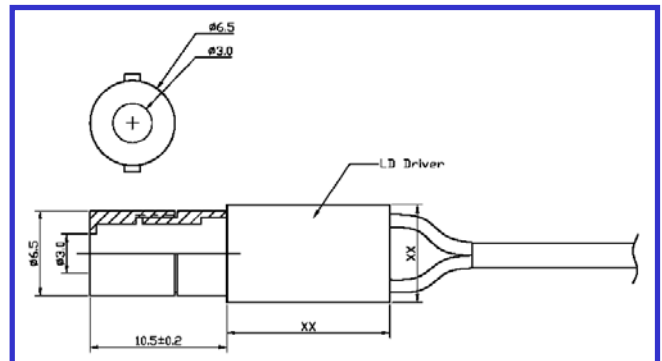
Electrical

Operating voltage(DC V)	5 ± 5%
Operating current(mA)	30(Max)
Operating Temp.(°C)	-10 ~ +40
Storage Temp.(°C)	-40 ~ +85

Mechanical

Weight(g)	6.5 ± 0.5
Dimensions(mm)	Φ6.5 X 23
Housing material	Brass

Drawings



Lanics Co., Ltd.

Room #703, 7F Woolim e-Biz Center
170-5, Guro-dong, Guro-gu, Seoul, 152-050, Korea
TEL : +82-2-2108-2255 FAX : +82-2-2108-2260

E-mail : support@lanics.com
[http:// www.lanics.com](http://www.lanics.com)