

Features

- ▶ Typical wavelength, 785nm
- ▶ Stabilized optical power 1mW
- ▶ Single supply voltage, 5V DC
- ▶ Collimated laser beam
- ▶ Low power consumption
- ▶ Wire length : 30cm(standard) or custom
- ▶ Laser class : II

Specification

Optical

Optical power(mW)	1 (Tc=25°C)
LD power(mW)	5 (Max)
Output Efficiency(%)	20
Wavelength(nm)	785 ±15
Focus Beam Dia(mm)	0.2x0.1(at 300mm)
Collimated Beam Dia(mm)	3x2(at 10m)
Collimated Beam Div(mrad)	<0.5
Beam Quality	TEM00, M ² <1.5
Beam intensity Pattern	Gaussian
LD Pin Connection	Case Ground Case Positive

Electrical

Operating voltage(DC V)	5 ± 5%
Operating current(mA)	50(Max)
Operating Temp.(°C)	-10 ~ +40
Storage Temp.(°C)	-40 ~ +85

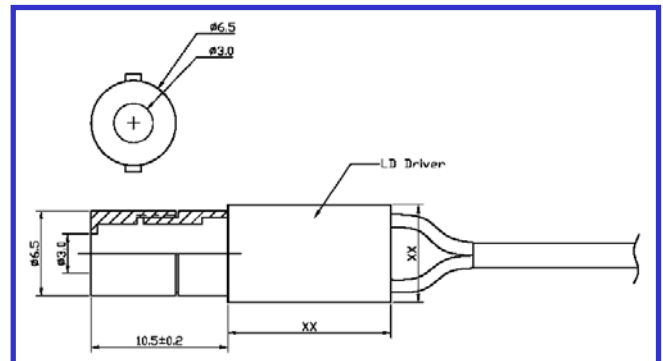
Mechanical

Weight(g)	6.5 ± 0.5
Dimensions(mm)	Φ6.5 X 23
Housing material	Brass

Description

The LM-7801RT series laser diode module combines laser diode technology, quality optics, and sophisticated electronics within a slim and light brass housing for variety of applications. This module provides a infrared(785nm) elliptical laser beam. Applications include a measurement, positioning, alignment, guidelines, pointing, switching, leveling, and machine vision etc. Useful in a variety of medical, industrial, and scientific instrumentation, as well as general R&D work.

Drawings



Lanics Co., Ltd.

Room #703, 7F Woolim e-Biz Center
170-5, Guro-dong, Guro-gu, Seoul, 152-050, Korea
TEL : +82-2-2108-2255 FAX : +82-2-2108-2260

E-mail : support@lanics.com
[http:// www.lanics.com](http://www.lanics.com)