

## DPSSL PnP Series

- ⊕ Power supply self contained
- ⊕ TEC cooler with fan-forced air cooling
- ⊕ Assuring all-day continuous operation
- ⊕ TTL modulation 0~30khz
- ⊕ 85~265V AC auto-adaptive input
- ⊕ High efficiency
- ⊕ High reliability



## Specifications

Model No.	LSR532-P-xxx	LSR1064-P-xxx
Wavelength	532 nm	1064 nm
Spatial Mode	TEM <sub>00</sub>	
Output Power	>= xxx(005 to 200) mW	>= xxx(010 to 400) mW
Residual IR (1064&808nm)	<0.01%	N/A
Operation Current	0.30~1.20 A	
Operation Mode	CW or Modulation	
Linewidth	<0.1 nm	
Polarization	Linear	
Beam Spot Shape	Circular, aspect ratio<1.1:1	
Pointing Stability	<0.05 mrad	ii
Beam Diameter(1/e <sup>2</sup> )	1.0 mm	1.5 mm
Beam Divergence	1.0 mrad	1.1 mrad
Power Stability	<5%	<3%
Temperature Stabilizing	TEC + FAN	
Warm Up Time	<5 minutes	
Beam Quality (M <sup>2</sup> )	<1.2	
Optimum Operating Temperature	20~30°C	
Storage Temperature	10~50°C	
MTTF*	5,000 hrs	
Dimensions	120(W)x68(H)x130(D)mm <sup>3</sup>	
Weight	1 kg	

\*MTTF (mean time to failure) is based on the MTTF rating of 808nm laser diode from the laser

Learn more on IL Photonics at  
[www.il-photonics.com](http://www.il-photonics.com)



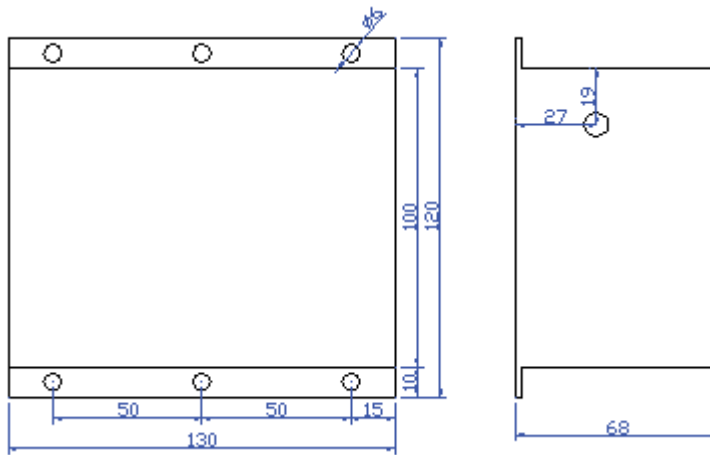
## LSR P Series

diode manufacturer. Lasever Inc. offers one year warranty to the dpss lasers.



[Large pics...](#)

### Shell drawing



©Copyright Lasever Inc. All Rights Reserved

2/2

Learn more on IL Photonics at  
[www.il-photonics.com](http://www.il-photonics.com)

Phone: (+972) 2-9923532; Fax: (+972) 2-9921480;  
E-mail: [moshe@il-photonics.com](mailto:moshe@il-photonics.com); 511 Hashita, Beit Shemesh 99552, Israel;