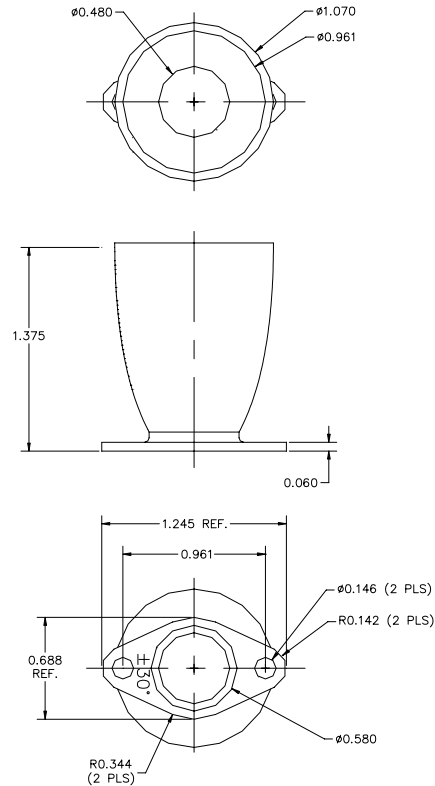




Features:

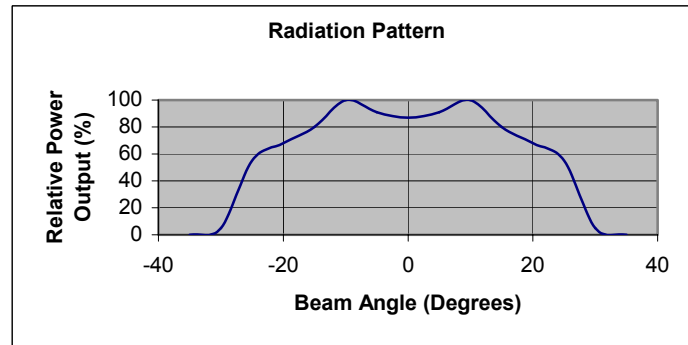
- Mates to Shark Series Illuminators
- +/- 30° Full Beam Angle
- Assists in coupling to secondary optics
- Possible MR11 / MR16 Replacement
- Scratch resistant reflective coating
- Fabricated of High Temperature Plastic



Product Description:

The 12PL-0011 CPC (Compound Parabolic Concentrator) is a Reflector Optic that mates onto the Shark Series High Flux Illuminators. This CPC focuses the light emitted from the Shark Illuminator into a concentrated beam for applications requiring a very bright directional light source. May be used as a possible replacement for MR11 and MR16 style lamps when used with a Shark Illuminator.

Opto Technology can customize reflectors or lensing optics, in order to provide total lighting solutions. Please consult the factory for additional information.



OPTO TECHNOLOGY, INC.

160 E. Marquardt Drive, Wheeling, IL 60090
 Phone: (847) 537-4277 FAX: (847) 537-4785
 Website: www.optotech.com