

■ Features

- Single Fiber Bi-directional Operation
- Integrated WDM filter
- Low Threshold Current, Uncooled MQW FP LD
- High Response, Low Dark Current InGaAs PIN
- Operation Temperature -40°C to +85°C
- Class I FDA and IEC Laser Safety
- Isolation > 35dB and Cross talk < -45dB,
- Complies with Bellcore TA-NWT-000983



■ 产品特点

- 单根光纤双向工作
- 内部集成波分复用器
- 低阈值电流，非制冷 MQW FP LD
- 高响应度，小暗电流 InGaAs PIN
- 操作温度-40°C到+85°C
- 全面符合第 I 类 FDA 和 IEC 激光安全建议
- 隔离度优于 35dB,串扰小于 45dB
- 符合 Bellcore TA-NWT-00983 要求

■ Absolute Maximum Ratings

Parameter	Symbol	Min	Max	Unit	Note
Reverse Voltage of LD	VRL	-	2	V	-
Forward Current of PD	IFD	-	2	mA	-
Reverse Voltage of PD	VRD	-	20	V	-
Operating Case Temperature	Tc	0	+70	°C	-
		-40	+85		
Storage Temperature	Tstg	-40	+85	°C	-
Lead Soldering Temperature/Time	Tsld	-	240/10	°C/S	-
Optical Return Loss	Orl	14minimum		dB	-

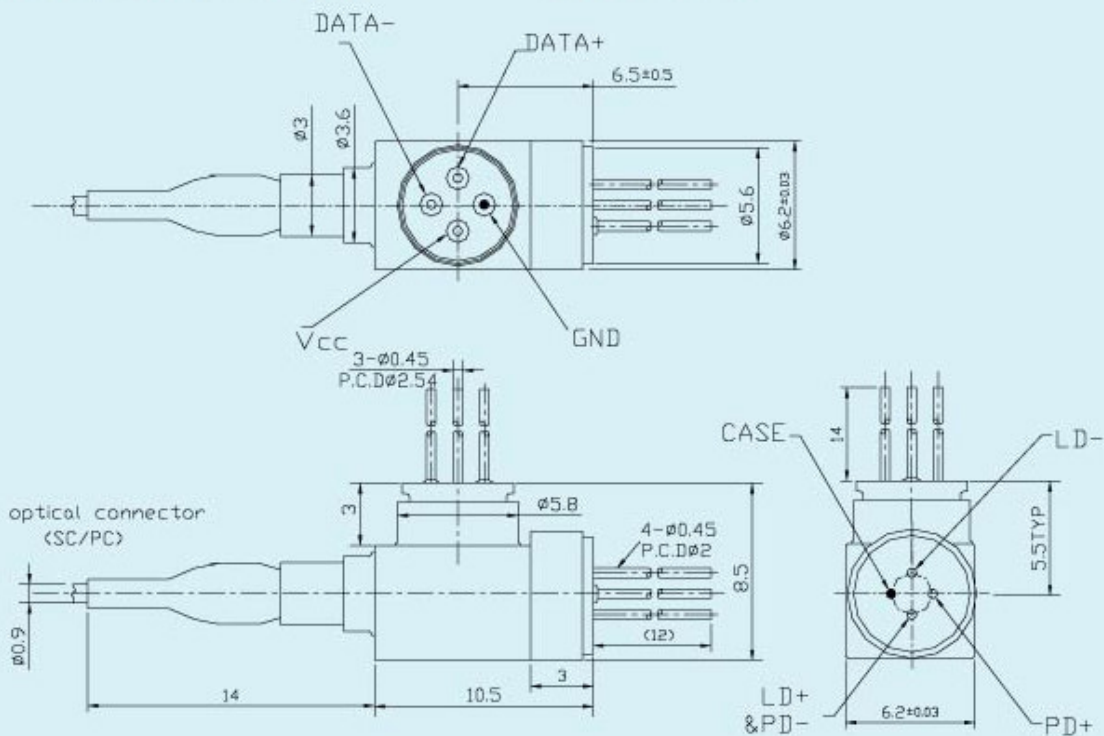
■ Transmitter Specifications (Tc=25°C,unless otherwise specified)

Parameter	Symbol	Test Conditions	Min	Typ	Max	Unit	
Center Wavelength	λ	CW	SB1*1	1260	1310	1360	nm
			SB5*1	1520	1550	1580	
Operating Voltage	Vop	CW, Po	-	1.1	1.5	V	
Threshold Current	Ith	CW	-	10	25	mA	
Operating Current	Iop	CW	-	30	50	mA	
Output Power	Po	CW, If=Ith+20mA	0.5	-	-	mW	
Spectral Width (RMS)	$\Delta \lambda$	Po	SB1*1	-	1.5	4	nm
			SB5*1	-	1	2.5	
Optical Rise/Fall Time	Tr/Tf	10%~90%	-	-	0.7	ns	

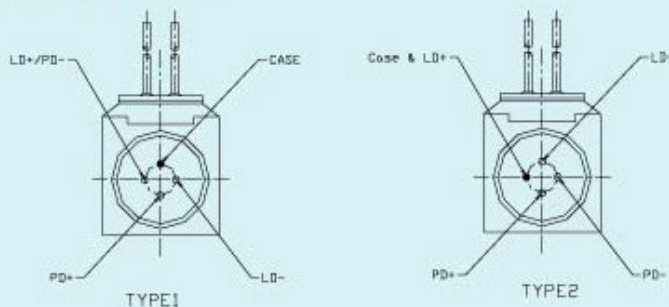
Receiver Specifications (Tc=25°C, unless otherwise specified)

Parameter	Symbol	Condition	Min	Typ	Max	Unit
Wavelength	λ	SB5*1	1480	1550	1580	nm
		SB1*1	1260	1310	1360	
Operating Current	I _{cc}	3.3V	-	35	-	mA
Optical Isolation	Iso	-	35	-	-	dB
Optical Cross talk	C _t	-	-	-	-45	dB
Responsivity(PIN-PD)	R	-	0.7	-	-	A/W

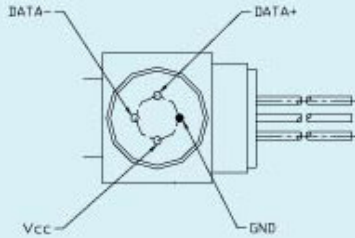
Package Information (Unit: mm)



LD PIN distribute



■ PD PIN distribute



■ Ordering Information

SB - - -

Transmitter Component (nm)	Receiver Component	Package type	Data Rate (b/s)	Condition (°C)	Output Power (μw)	Connector type	LD PIN distribute	PD PIN distribute
1: 1310 FP-LD	1: PIN(couple wavelength)	1: pigtail	1: 155M	1: 5V 0~70	1:100 ~500	0: no connector	1: type1	1: type1
2: 1310 DFB-LD	2: PIN(single wavelength)	2: receptacle	2: 622M	2: 5V -40~85	2:500 ~1000	1: FC/PC	2: type2	
3: 1490 FP-LD	3: PIN+TIA (couple wavelength)		3: 1.25G	3: 3.3V 0~70	3:1000 ~2000	2: FC/APC		
4: 1490 DFB-LD	4: PIN+TIA (couple wavelength)		4: 2.5G	4: 3.3V -40~85	4: 2000~	3: SC/PC		
5: 1550 FP-LD						4: SC/APC		
6: 1550 DFB-LD						5: ST/PC		