

■ Features

- InGaAs PIN-TIA
- Operating Wavelength from 1100nm to 1600nm
- Low Dark Current, Low Noise
- Excellent Reliability
- Operation Temperature -40°C to +85°C

■ 产品特点

- InGaAs PIN-TIA 光电二极管
- 工作波长 1100-1600nm
- 暗电流小，噪声抑制能力强
- 高可靠性
- 操作温度-40°C到+85°C



■ Absolute Maximum Rating

Parameter	Min	Max	Unit
Operating temperature	-40	+85	°C
Storage temperature	-40	+85	°C
TIA Supply Voltage	0	+4.5	V
Operation Relative Humidity		85	%

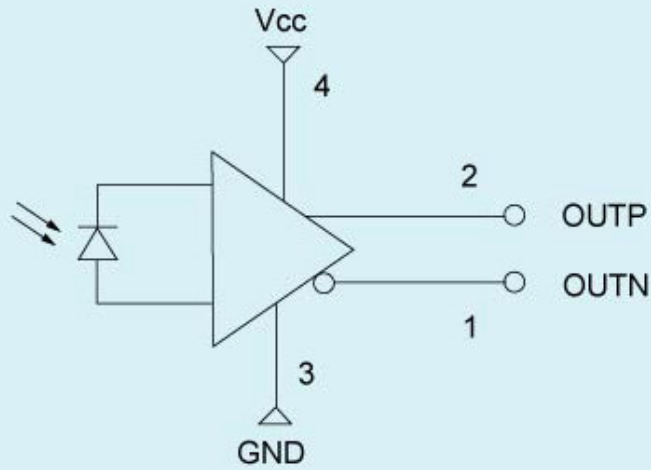
■ Operating Environment

Parameter	Min	Typ	Max	Unit
Operating temperature	-40	+25	+85	°C
TIA Supply Voltage	3.1	3.3	3.5	V

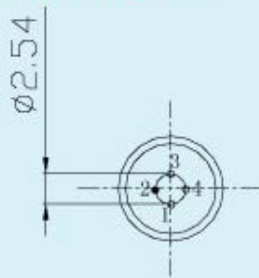
■ Opto – Electrical Characteristic (Tc=-40~+85°C, Vcc=3.1~3.5V, unlerwise specified)

Parameter	Symbol	Test Conditions	Min	Typ	Max	Unit	
Optical Wavelength	λ	-	1260	-	1650	nm	
Supply Current	I _{cc}	DC	-	20	25	mA	
-3dB Bandwidth	Bw	AC, RL=50 Ω , Pin=-38dBm, λ =1310nm	SR**-1	70	90	-	MHZ
			SR**-2	375	415	-	MHZ
			SR**-3	750	-	-	MHZ
			SR**-4	1750	1800	-	
Optical sensitivity	Pr	AC, RL=50 Ω , NRZ PRBR=2 ⁻²³ -1 BER=10 ⁻¹⁰ , λ =1310nm	SR**-1	-	-39	-37	dBm
			SR**-2	-	-34	-31	
			SR**-3	-	-	-24	
			SR**-4	-	-24	-22	
Saturation Power	Ps		-3	0	-	dBm	
Output Impedance	Z _o	-	-	50	-	Ω	
Transimpedance	Z _t	Differential	52	62	70	K Ω	

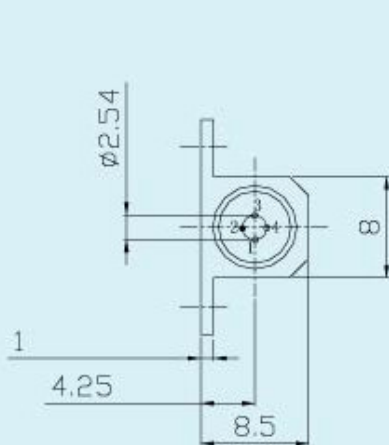
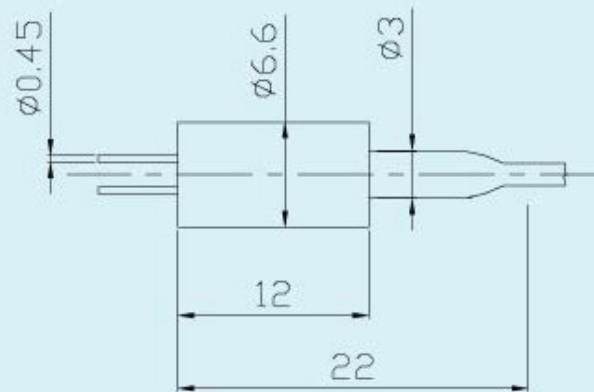
■ Schematic Circuit



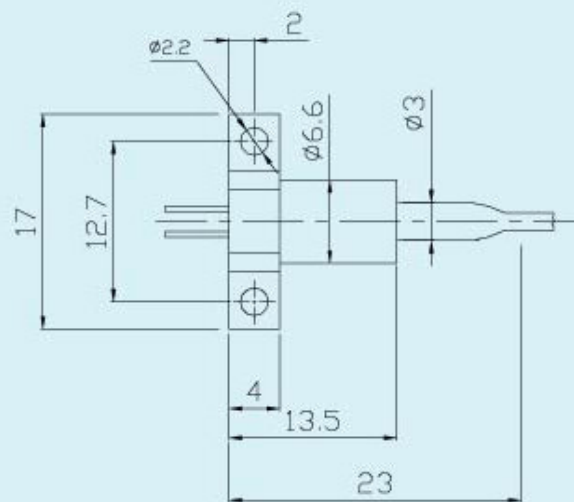
■ Package Information



No Flange



Flange



■ **Ordering Information**

SR - -

Wavelength,IC Voltage,Module type	Package type	Data rate (b/s)	Flange & Mounting Bracket type	Connect type	Pigtail type
1: long wave 5v PIN+TIA	1: 3-pin coaxial, pigtail	1: 155M	1: no flange	1: no connect	S: single Mode
2: long wave 3.3v PIN+TIA	2: 4-pin coaxial, receptacle, without fiber stub	2: 622M	2: ΩFlange	2: FC/PC	M: Multi Mode
3: long wave 5v APD+TIA	3: 4-pin coaxial,pigtail	3: 1.25G		3: FC/APC	
4: long wave 3.3v APD+TIA	4: 5-pin coaxial, receptacle, without fiber stub	4: 2.5G		3: SC/PC	
5: short wave 5v PIN+TIA	5: 5-pin coaxial, pigtail			4: SC/APC	
6: short wave 3.3v PIN+TIA	6: 4-pin coaxial, receptacle, with fiber stub			5: ST/PC	
7: PIN					