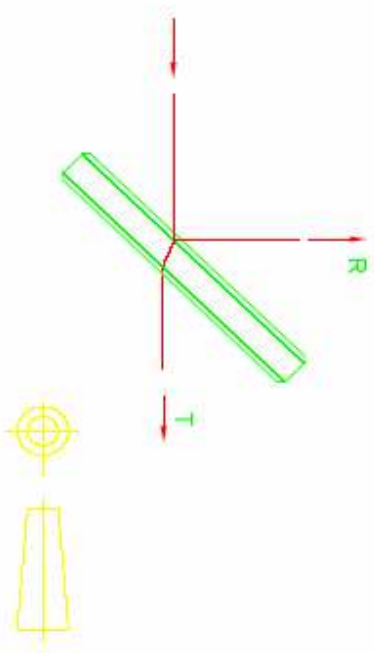


- Specification:
- 1) Material BK7 A grade Optical Glass
 - 2) Dimension and thickness tolerance: ± 0.2 mm
 - 3) Surface Quality: 60 - 40 scratch and dig
 - 4) Flatness: $< \lambda/10$ @632.8nm
 - 5) Parallelism: $< 1''$
 - 6) R/T: 90/10a 5%, for random polarization
 - 7) $T = (T_s + T_p)/2$, $R = (R_s + R_p)/2$
 - 8) Chirp: < 0.200 mm
 - 9) Coating: (Incident angle: 45°)
- S1: Single Wavelength Partial reflectance
S2: "V"AR-coating



Mark	QTY	SIGNED	Date	SCALE	DATE	SCALE	DATE
					2005.12.08	632.8NM BEAMSPLITTER PLATE	
				Material	Schott BK7 grade A		QTY
				Design			
				Drawing			
				Check			

